

**JST**

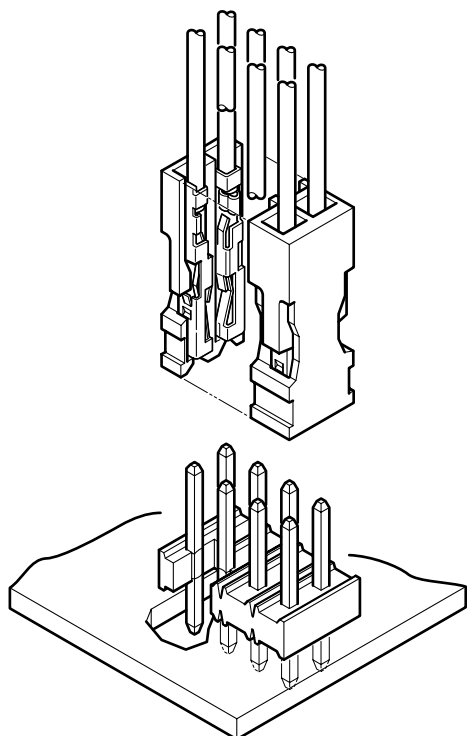
Crimp

**2.54mm**  
(.100") pitch

# RF CONNECTOR·HEADER

*Disconnectable Crimp style connectors and headers*

*The RF connector was developed as a highly reliable, low-cost crimp style connector for printed circuit boards, and is well suited for internal connections in office automation equipment, such as personal computers, office computers and their peripheral devices.*



## Features

- **Highly reliable, yet low in cost**

Our original double-leaf spring construction withstands the stresses caused by repeated insertions and withdrawals and ensures reliable contact performance. Depending on the application, the socket contacts and header posts can be selectively gold-plated or fully tin-plated to minimize costs.

- **A space-saving, high-density design**

The 2.54mm (.100") pitch contacts are arranged in two rows. The mated connectors can be placed side by side or end to end without a loss in pitch. This facilitates space-saving, high-density circuit designs.

- **Easy connection**

A slight force is all that is required for contact insertion because the housing has resilient lances. Furthermore, the positions of the contacts in the housing can be visually checked. This facilitates insertion of the contacts in the housing.

- **It can be cut to any length to provide a header with any number of circuits**

Notches are provided on the insulator that allow it to be cut to any length without using special tools.

## Specifications

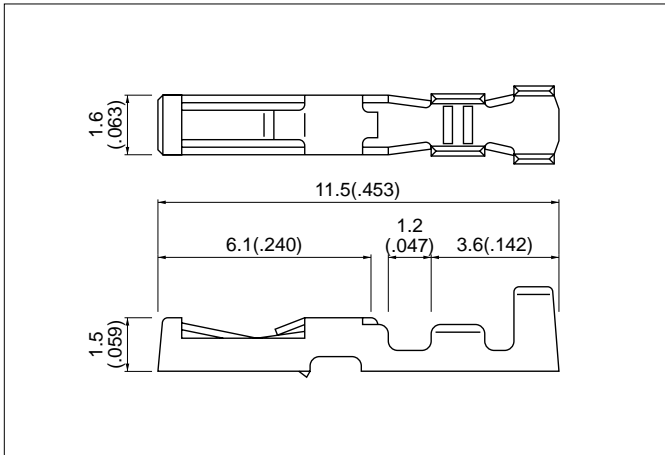
- Current rating: 2A AC, DC (AWG #24)
  - Voltage rating: 250V AC, DC
  - Temperature range: (including temperature rise in applying electrical current)
    - 55°C to +105 °C(gold-plated)
    - 55°C to +85°C(tin-plated)
  - Contact resistance: Initial value/15m Ω max.  
After environmental testing/30m Ω max.
  - Insulation resistance: 1,000M Ω min.
  - Withstanding voltage: 1,500V AC/minute
  - Applicable wire: AWG #30 to #24
  - Applicable PC board thickness: 1.2 to 1.6mm(.047" to .063")
- \* Contact JST for details.

## Standards

○ Recognized E60389

1 Certified LR20812

## Contact

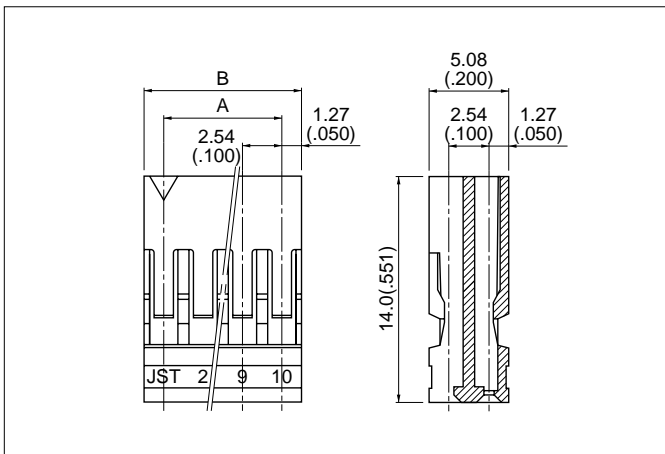


Model No.	Applicable wire			Finish	Q'ty / reel
	mm <sup>2</sup>	AWG #	Insulation O.D. mm(in.)		
<b>RF-SC2210</b>	0.06 to 0.22	30 to 24	0.9 to 1.5 (.035 to .059)	Nickel-undercoated, Mating section: Gold-plated	10,000
<b>RF-SC2290</b>				Crimp section: Tin/lead-plated Copper-undercoated, tin-plated	

### Material

Phosphor bronze

## Housing



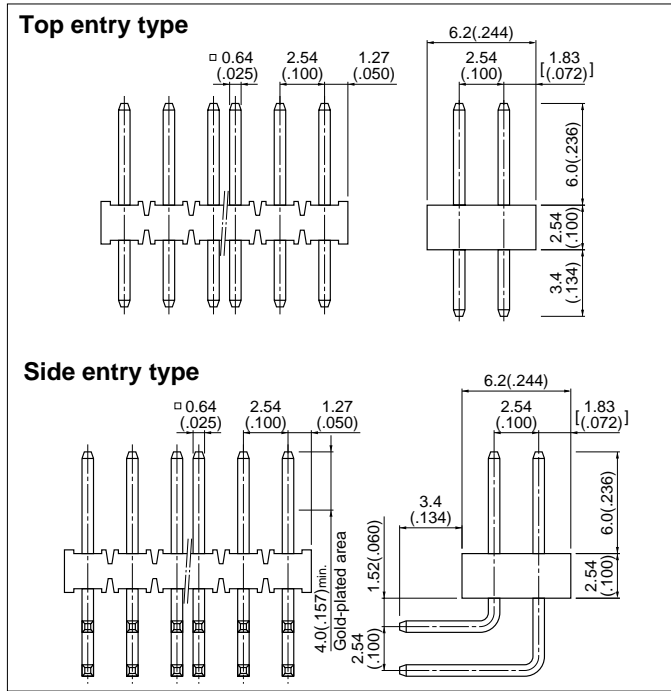
Cir- cuits	Model No.	Dimensions mm(in.)		Q'ty / box
		A	B	
6	<b>RF-06</b>	5.08 (.200)	7.62 (.300)	500
8	<b>RF-08</b>	7.62 (.300)	10.16 (.400)	500
10	<b>RF-10</b>	10.16 (.400)	12.7 (.500)	500
12	<b>RF-12</b>	12.7 (.500)	15.24 (.600)	500
14	<b>RF-14</b>	15.24 (.600)	17.78 (.700)	300
16	<b>RF-16</b>	17.78 (.700)	20.32 (.800)	300
20	<b>RF-20</b>	22.86 (.900)	25.4 (1.000)	200
28	<b>RF-28</b>	33.02(1.300)	35.56(1.400)	200

### Material

PBT, UL94V-0, natural (black)

# RF CONNECTOR·HEADER

## Header



### Top entry type

Model No.	Material		Finish
	Wafer	Post	
<b>RF-H (*)</b> <b>2TD-1130</b>	PBT, UL94V-0, black (natural)	Brass	Nickel-undercoated, gold-plated
<b>RF-H (*)</b> <b>2TD-1190</b>			Copper-undercoated, tin/lead-plated

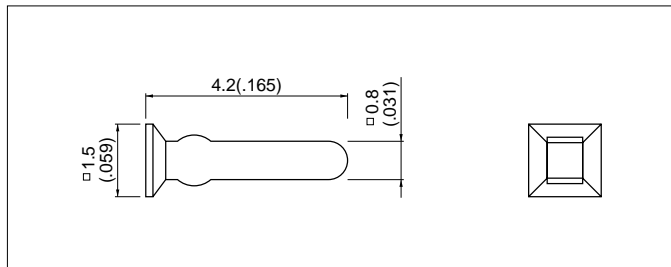
### Side entry type

Model No.	Material		Finish
	Wafer	Post	
<b>RF-H (*)</b> <b>2SD-1110</b>	PBT, UL94V-0, black (natural)	Brass	Nickel-undercoated, Mating section: Gold-plated Solder tail: Tin/lead-plated
<b>RF-H (*)</b> <b>2SD-1190</b>			Copper-undercoated, tin/lead-plated

#### Note:

1. A two-digit number (02 to 60 even numbers only) representing the number of circuits should be inserted in (\*). Determine the number depending on the number of circuits of the housing or header.
2. Contact JST for special products.

## Polarizing key



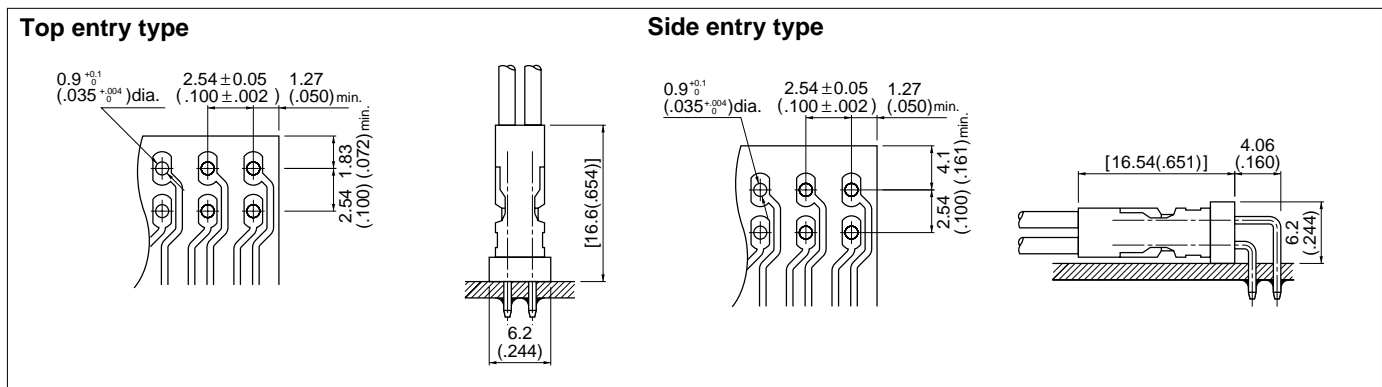
Model No.	Q'ty / bag
<b>PK-RF-1</b>	2,000

Material
PBT, UL94V-0, natural (white)

*Polarizing key: The polarizing key in the housing prevents misinsertion of the connector to the header.*

*Note: Not UL approved nor CSA certified.*

## PC board layout (viewed from soldering side) and Assembly layout



- Note:
1. Tolerances are non-cumulative:  $\pm 0.05\text{mm}$  ( $\pm 0.002''$ ) for all centers. Hole dimensions differ according to the kind of PC board and piercing method.
  2. The dimensions above should serve as a guideline. Contact JST for details.